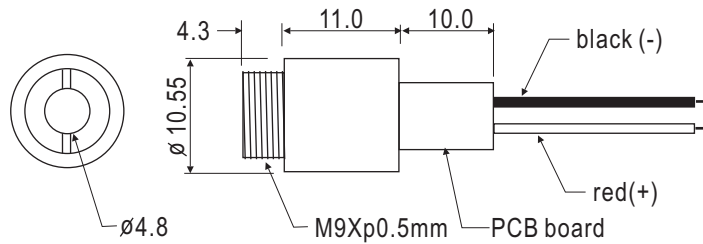


# Laser Products

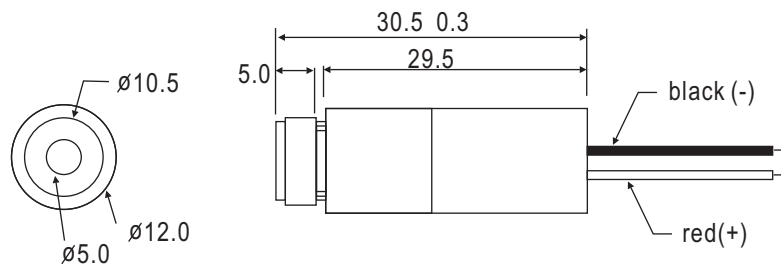
## Visible Laser Modules

Ta=25°C

Device No	Color	Supply voltage	Wavelength	Output power	Application
-----------	-------	----------------	------------	--------------	-------------



HLDPM10-650-1	red laser	3 V	650 nm	1 mW	laser pointer.
HLDPM10-650-3	red laser	3 V	650 nm	3 mW	laser pointer
HLDPM10-635-1	red laser	3 V	635 nm	1 mW	laser pointer.
HLDPM10-635-3	red laser	3 V	635 nm	3 mW	laser pointer
HLDPM14-635-15	red laser	3 V	635 nm	15 mW	laser pointer
HLDPM14-635-25	red laser	3 V	635 nm	25 mW	laser pointer.
HLDPM12-532-3	green laser	3 V	532 nm	3 mW	laser pointer



HLDPM12-650-3S	red laser	3 V	650 nm	3 mW	laser liner
HLDPM12-650-5S	red laser	3 V	650 nm	5 mW	laser liner
HLDPM12-635-3S	red laser	3 V	635 nm	3 mW	laser liner
HLDPM12-635-5S	red laser	3 V	635 nm	5 mW	laser liner
HLDPM12-635-6S	red laser	3 V	635 nm	6 mW	laser liner
HLDPM12-650-3SC	red laser	3 V	650 nm	3 mW	laser cross
HLDPM12-650-5SC	red laser	3 V	650 nm	5 mW	laser cross
HLDPM12-635-3SC	red laser	3 V	635 nm	3 mW	laser cross
HLDPM12-635-5SC	red laser	3 V	635 nm	5 mW	laser cross
HLDPM12-635-6SC	red laser	3 V	635 nm	6 mW	laser cross
HLDPM12-635-5	red laser	3 V	635 nm	5 mW	laser pointer

### Safety considerations:

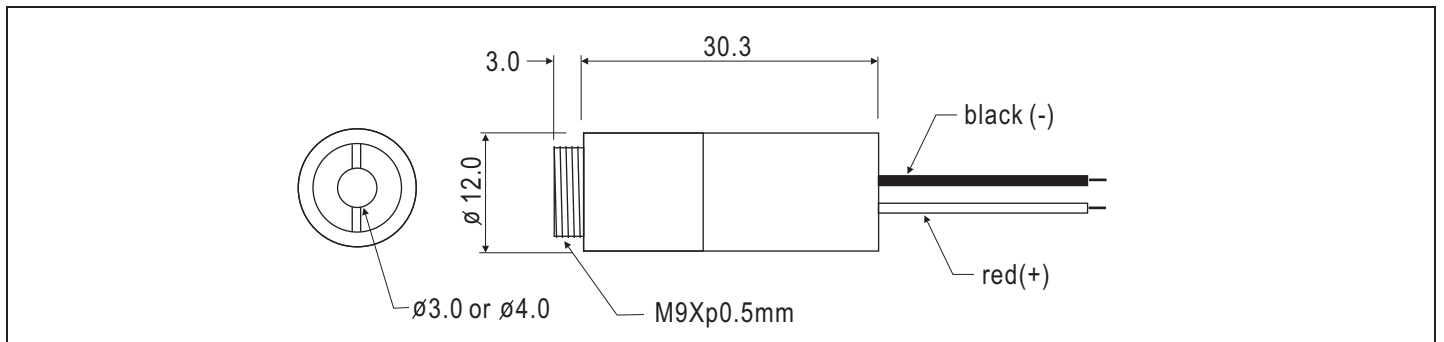
1. This product complies with 21 CFR 1040.10 and 1040.11
2. The beam emitted from the laser module is visible and may be harmful to the human eye. Avoid any possibility of looking into the laser package or the collimated beam along its optical axis when the device is in operation.
3. ESD precautions must be taken when handling unit.
4. visible laser radiation avoid direct exposure to beam.

# Laser Products

## Visible Laser Modules

Ta=25°C

Device No	Color	Supply voltage	Wavelength	Output power	Application
-----------	-------	----------------	------------	--------------	-------------



HLDPM12-655-1	red laser	2.5 ~ 4.0 V	655 nm	0.9~0.98 mW	laser pointer
HLDPM12-655-3	red laser	2.5 ~ 4.0 V	655 nm	2.5~4.5 mW	laser pointer.
HLDPM12-655-5	red laser	2.5 ~ 4.0 V	655 nm	6.0~7.0 mW	laser pointer.
HLDPM12-655-10	red laser	2.5 ~ 4.0 V	655 nm	10 mW	medical, lighting show, industrial level tooling.
HLDPM12-655-25	red laser	2.5 ~ 4.0 V	655 nm	25 mW	medical, lighting show, industrial level tooling.

### Safety considerations:

1. This product complies with 21 CFR 1040.10 and 1040.11
2. The beam emitted from the laser module is visible and may be harmful to the human eye. Avoid any possibility of looking into the laser package or the collimated beam along its optical axis when the device is in operation.
3. ESD precautions must be taken when handling unit.
4. visible laser radiation avoid direct exposure to beam.